

MODELS 3169 AND 3169-106

Tension and compression 500 lbs. to 3,000 lbs.



3169—English Thd.
3169-106—Metric Thd.

MODELS 3169-108 AND 3169-111

Tension and compression 500 lbs. to 3,000 lbs.



3169-108—English Thd.
3169-111—Metric Thd.

FEATURES :

- Stainless steel
- Hermetically sealed
- Barometrically compensated
- Low deflection
- Proven design and performance
- Tension and compression
- Low sensitivity to extraneous loads

The 3169 stainless steel load cell offers sealed, barometrically compensated construction. It is ideally suited for scales and other critical weighing applications. This compact load cell's temperature compensation circuit is located in close proximity to the strain gage bridge which provides more effective compensation where the internal and external load cell temperature can vary. Precision performance as well as the structural integrity required to withstand extraneous loads are also features of this rugged load cell.

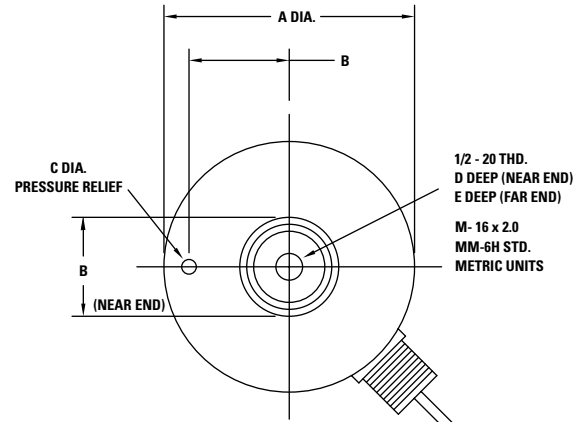
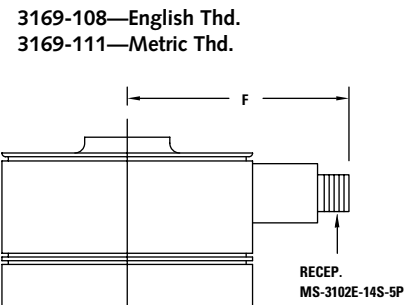
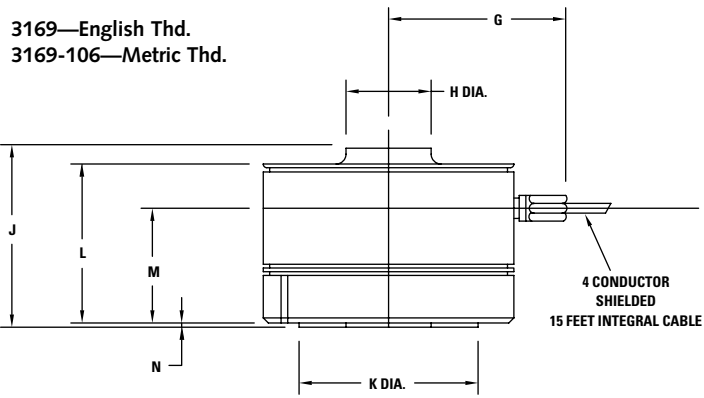
PERFORMANCE SPECS : 3169, 3169-106, 3169-108 AND 3169-111 SPECIFICATIONS

Output at rated capacity: <i>millivolts per volt, terminal</i>	2
Nonlinearity: <i>of rated output</i>	± 0.05% *
Hysteresis: <i>of rated output</i>	± 0.05% *
Repeatability: <i>of rated output</i>	± 0.02%
Zero balance: <i>of rated output</i>	± 5.0%
Creep: <i>in 20 minutes of rated output</i>	<± 0.02%
Bridge resistance: <i>ohms nominal</i>	350
Temperature range, compensated: °F	+70 to +170
Temperature range, compensated: °C	+21 to +77
Temperature range, usable: °F	-65 to +200
Temperature range, usable: °C	-54 to +93
Temperature effect on output: <i>of reading per °F</i>	± 0.002%
Temperature effect on output: <i>of reading per °C</i>	± 0.0036%
Temperature effect on zero: <i>of rated output per °F</i>	± 0.002%
Temperature effect on zero: <i>of rated output per °C</i>	± 0.0036%
Excitation voltage, maximum: <i>volts DC or AC rms</i>	20
Insulation resistance, bridge/case: <i>megohms at 50 VDC</i>	>5,000
Number of bridges:	1

*Model 3169-106, -111: ± 0.1%



ORDER TOLL FREE (800) 803-1164



3169	IN.	CM.
A	3.50	8.89
B	1.38	3.51
C	0.13	0.33
D	0.75	1.91
E	0.69	1.75
F	3.31	8.41
G	2.50	6.35
H	1.19	3.02
J	2.50	6.35
K	2.50	6.35
L	2.22	5.64
M	1.53	3.89
N	0.06	0.15

SENSOR CHARACTERISTICS: 3169

MODEL NUMBER	NOMINAL LOAD LIMIT CAPACITY F_z		STATIC OVERLOAD CAPACITY % OF NOM. CAPACITY	STATIC EXTRANEIOUS LOAD LIMITS			DEFLECTION AT NOM. LOAD LIMIT INCHES	RINGING FREQUENCY H_z
	LBS.	NEWTONS		SHEAR F_x OR F_y LBS.	BENDING M_x OR M_y LB. INCHES	TORQUE M_z LB. INCHES		
3169	500	2K	150	2,619	4,583	2,895	0.003	1,950
	1K	5K	150	2,619	4,583	2,895	0.003	2,440
	2K	10K	150	2,619	4,583	2,895	0.003	3,900
	3K	15K	150	2,619	4,583	2,895	0.003	5,000