

**FEATURES :**

- Measures press fit loads on bearings
- Fits in limited or tight spaces
- Measures rolling mill loads
- Measures tie rod loads

The hollow load cells are available for compression only loads in capacities of 25K, 50K and 100K lbs., and for tension-compression loads in capacities of 5K, 10K and 20K lbs.

The precision design and manufacture of this versatile transducer style is the result of our extensive experience in both metal working industry and automotive applications.

**PERFORMANCE SPECS :  
3336 AND 3632**

SPECIFICATIONS	3336	3632
<b>Output at rated capacity:</b> <i>millivolts per volt, nominal</i>	±2	2
<b>Nonlinearity:</b> <i>of rated output</i>	±0.25%	±0.15%
<b>Hysteresis:</b> <i>of rated output</i>	±0.15%	±0.15%
<b>Repeatability:</b> <i>of rated output</i>	±0.15%	±0.15%
<b>Zero balance:</b> <i>of rated output</i>	±1.0%	±1.0%
<b>Bridge resistance:</b> <i>ohms nominal</i>	350* or 700**	480† or 240††
<b>Temperature range, compensated:</b> °F	+70 to +170	+70 to +170
<b>Temperature range, compensated:</b> °C	+21 to +77	+21 to +77
<b>Temperature range, usable:</b> °F	-65 to +200	-65 to +200
<b>Temperature range, usable:</b> °C	-54 to +93	-54 to +93
<b>Temperature effect on output:</b> <i>of reading per °F</i>	±0.002%	±0.002%
<b>Temperature effect on output:</b> <i>of reading per °C</i>	±0.0036%	±0.0036%
<b>Temperature effect on zero:</b> <i>of rated output per °F</i>	±0.002%	±0.002%
<b>Temperature effect on zero:</b> <i>of rated output per °C</i>	±0.0036%	±0.0036%
<b>Excitation voltage, maximum:</b> <i>volts DC or AC rms</i>	20	20
<b>Insulation resistance, bridge/case:</b> <i>megohms at 50 VDC</i>	>5,000	>5,000
<b>Number of bridges:</b>	1 or 2	1

\*5K \*\*10K and 20K †25K and 50K ††100K  
Other capacities and configurations available; consult factory.

**MODEL 3336**

Tension and compression



Capacities available 5K, 10K and 20K lbs.

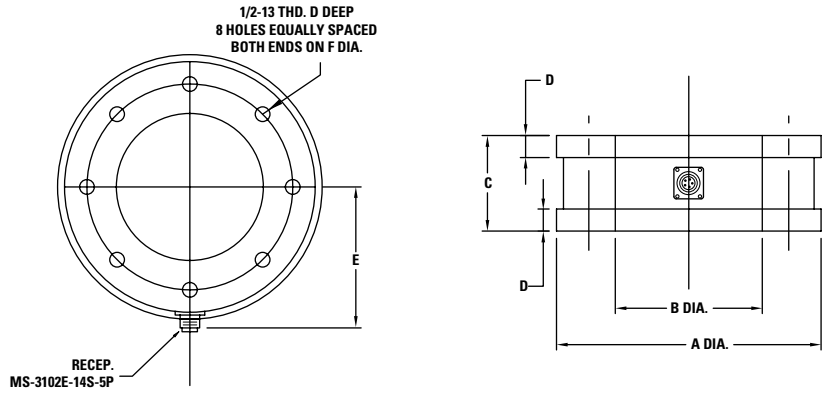
**MODEL 3632**



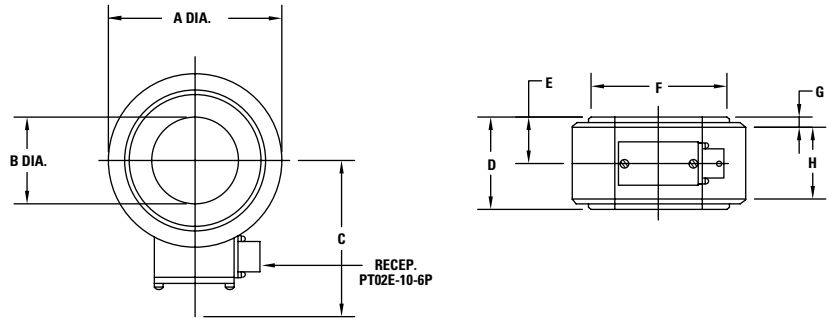
Capacities available 25K, 50K and 100K lbs.

**Consult factory  
for specials.**

3336	IN.	CM.
A	9	22.86
B	5	12.70
C	3.25	8.26
D	0.75	1.91
E	4.88	12.40
F	7	17.78



3632	IN.	CM.
A	4	10.16
B	2	5.08
C	3	7.62
D	2	5.08
E	1	2.54
F	3.25	8.26
G	0.06	0.15
H	1.88	4.78



**SENSOR CHARACTERISTICS : 3336 AND 3632**

MODEL NUMBER	NOMINAL LOAD LIMIT CAPACITY $F_z$		STATIC OVERLOAD CAPACITY % OF NOM. CAPACITY	STATIC EXTRANEIOUS LOAD LIMITS			DEFLECTION AT NOM. LOAD LIMIT INCHES	RINGING FREQUENCY $H_z$
	LBS.	NEWTONS		SHEAR $F_x$ OR $F_y$ LBS.	BENDING $M_x$ OR $M_y$ LB. INCHES	TORQUE $M_z$ LB. INCHES		
3336	5K	20K	150	550	12K	1,850	0.005	1,100
	10K	50K	150	1,400	31K	3,750	0.005	1,500
	20K	100K	150	2,650	62K	14K	0.005	2,200
3632	25K	125K	150	2,750	18K	3K	0.005	5,000
	50K	200K	150	5,500	36K	13K	0.005	7,000
	100K	500K	150	13K	91K	27K	0.005	10,000



ORDER TOLL FREE (800) 803-1164