

錫麟企業有限公司 Sencera Co. Ltd.

Tel:02-27046595 Fax:886-2-27041279 Email:justinel@ms14.hinet.net

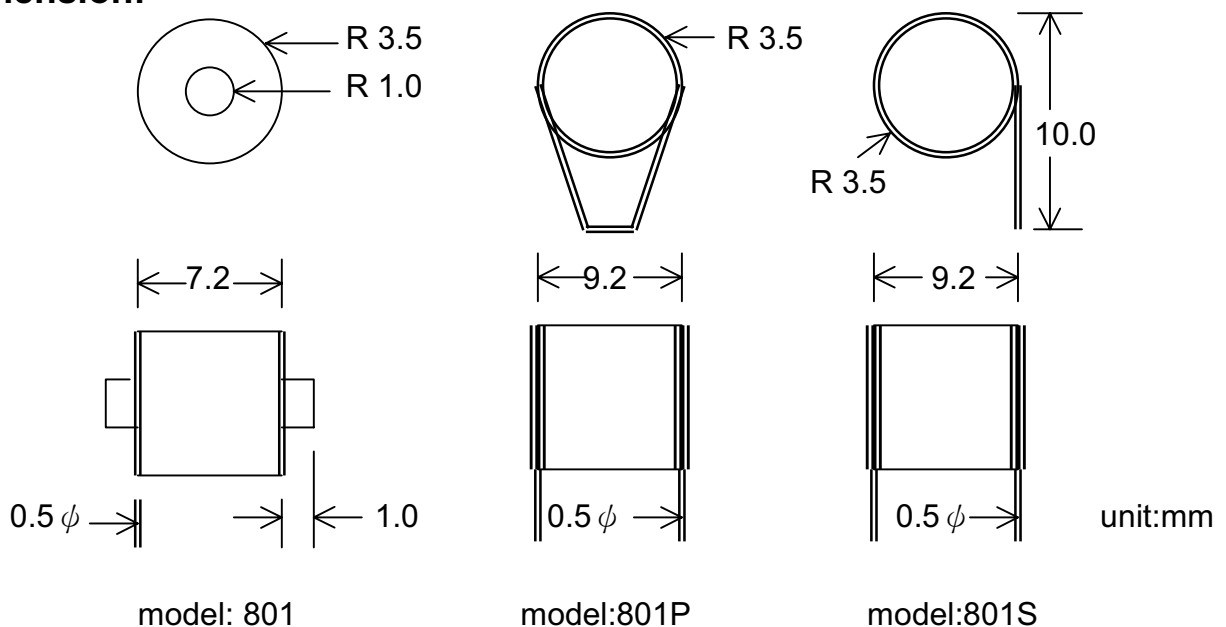
9F-5, No. 26, Jen-Ai Road, Taipei, Taiwan, ROC. <http://welcome.to/sencera>

Shock sensor 801X specification

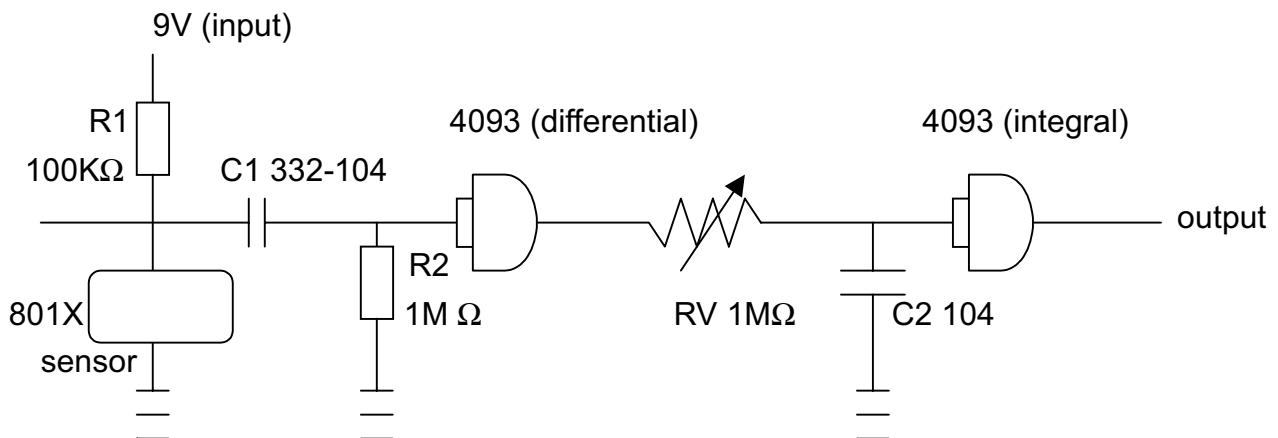
- Features:

- Micro Shock detecting.
- Non direction limited.
- 60,000,000 times shock guarantee (special gold alloy plated)
- Low cost circuit can adjust Sensitivity.

- Dimension:



- Reference circuit:



- Attention:

1. Output must become **square wave**. (Can not use as shock switch!)
2. Take low or high of output square wave into your alarm system and adjust sensitivity from the delay time length.