

MODEL S-BEAM SERIES

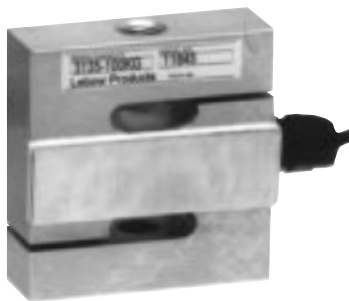
MODEL 3137



MODEL 3136



MODEL 3135



FEATURES :

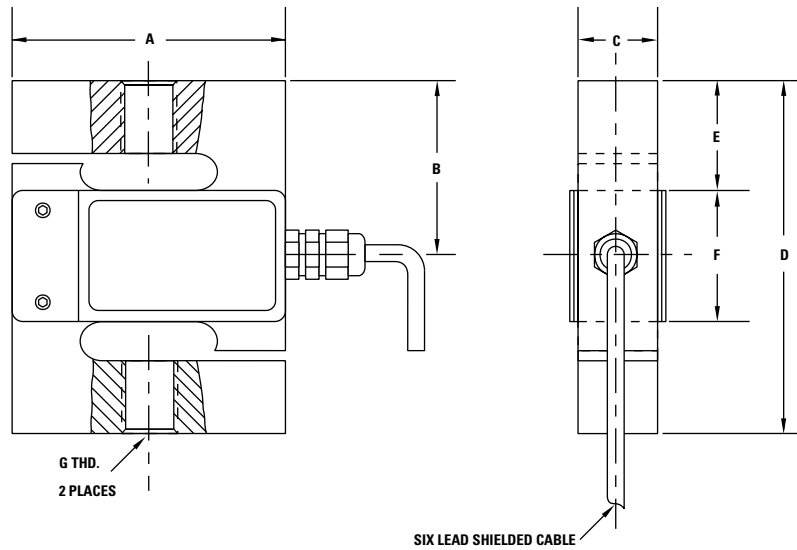
The S-Beam series is designed for tension and compression weight/force measurement. It features the proven bending beam construction and integral loading threads. These combined features form an extremely rugged, compact axial force transducer. Where good performance and low price are requirements, the S-Beam series is an excellent choice.

PERFORMANCE SPECS : 3135, 3136 AND 3137

SPECIFICATIONS	3135	3136	3137
Rated capacity: <i>± 10% millivolts per volt</i>	2.0	2.0	2.0
Total error: of applied load	± 0.05%	± 0.05%	± 0.075%
Zero return after 30 min.: <i>of applied load</i>	± 0.05%	± 0.05%	± 0.065%
Temperature effect: <i>on output of applied load/°F</i>	± 0.0017%	± 0.0017%	± 0.0039%
Temperature effect: <i>on zero of applied load/°F</i>	± 0.004%	± 0.006%	± 0.0083%
Zero balance: <i>of rated output</i>	± 5%	± 10%	± 5%
Temperature range, operating: °F	-22 to +158	-22 to +158	-22 to +176
Temperature range, compensated: °F	+14 to +122	+14 to +113	+14 to +104
Safe overload: <i>of rated capacity</i>	150%	150%	150%
Ultimate overload: <i>of rated capacity</i>	300%	300%	300%
Excitation: recommended <i>volts AC or DC</i>	10	10	10
Excitation: maximum <i>volts AC or DC</i>	15	15	15
Input impedance: <i>± 15 ohms</i>	415	385	400
Output impedance: <i>± 3 ohms</i>	350	350	350
Insulation impedance: <i>megohms</i>	>1,000	>2,000	>1,000
Deflection: <i>at rated capacity, inches</i>	<0.016	<0.016	<0.016
Environmental protection:	IP65	IP66	IP68



ORDER TOLL FREE (800) 803-1164



MODEL NUMBER	CAPACITY Kg	A (mm)	B (mm)	C (mm)	D (mm)	E (mm)	F (mm)	G THD
3135-50Kg	50	2.44 (62.10)	1.57 (40.00)	0.71 (18.00)	3.15 (80.00)	0.99 (25.10)	1.17 (29.80)	1/2-20 UNF 3B
3135-100Kg	100	2.44 (62.10)	1.57 (40.00)	0.71 (18.00)	3.15 (80.00)	0.99 (25.10)	1.17 (29.80)	1/2-20 UNF 3B
3136-150Kg	150	2.44 (62.10)	1.57 (40.00)	0.71 (18.00)	3.15 (80.00)	0.99 (25.10)	1.17 (29.80)	1/2-20 UNF 3B
3136-200Kg	200	2.44 (62.10)	1.57 (40.00)	0.71 (18.00)	3.15 (80.00)	0.99 (25.10)	1.17 (29.80)	1/2-20 UNF 3B
3136-300Kg	300	2.44 (62.10)	1.57 (40.00)	0.71 (18.00)	3.15 (80.00)	0.99 (25.10)	1.17 (29.80)	1/2-20 UNF 3B
3136-500Kg	500	2.44 (62.10)	1.57 (40.00)	0.71 (18.00)	3.15 (80.00)	0.99 (25.10)	1.17 (29.80)	1/2-20 UNF 3B
3136-750Kg	750	2.44 (62.10)	1.57 (40.00)	0.71 (18.00)	3.15 (80.00)	0.99 (25.10)	1.17 (29.80)	1/2-20 UNF 3B
3136-1,000Kg	1,000	2.44 (62.10)	1.57 (40.00)	0.71 (18.00)	3.15 (80.00)	0.99 (25.10)	1.17 (29.80)	1/2-20 UNF 3B
3137-2,000Kg	2,000	2.76 (70.00)	1.77 (45.00)	1.26 (32.00)	3.54 (90.00)	n/a	n/a	5/8-18 UNF 3B
3137-5,000Kg	5,000	3.94 (100.00)	2.36 (60.00)	1.77 (45.00)	4.72 (120.00)	n/a	n/a	1-12 UNF 3B