



# Low-Voltage, 1.8kHz PWM Output Temperature Sensors

## General Description

The MAX6676/MAX6677 are high-accuracy, low-power temperature sensors with a single-wire output. The MAX6676/MAX6677 convert the ambient temperature into a ratiometric PWM output with temperature information contained in the duty cycle of the output square wave. The MAX6676 has an open-drain output and the MAX6677 has a push-pull output.

The MAX6676/MAX6677 are specified for operation with power-supply voltages from 1.8V to 3.6V, or from 3.6V to 5.5V (MAX6676 only). The typical unloaded supply current is 80µA. All devices feature a single-wire output that minimizes the number of pins necessary to interface with a microprocessor (µP). The output is a square wave with a nominal frequency of 1.8kHz (±20%) at +25°C. The output format is decoded as follows:

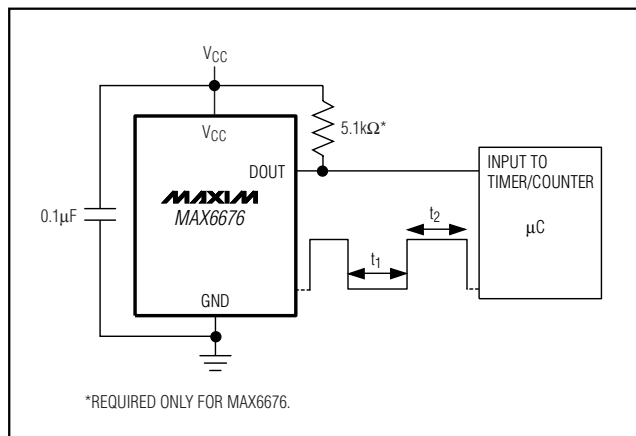
$$\text{Temperature (}^{\circ}\text{C)} = 398.15 \times (t_1 / t_2) - 273.15$$

Where  $t_1$  is fixed with a typical value of 0.24ms and  $t_2$  is modulated by the temperature. The MAX6676/MAX6677 operate from -40°C to +125°C and are available in space-saving 6-pin SOT23 packages.

## Applications

Process Control  
Industrial  
HVAC and Environmental Control  
Automotive  
Portable Devices  
µP and µC Temperature Monitoring  
Isolated Temperature Sensing

## Typical Operating Circuit



## Features

- ◆ Simple Single-Wire, 1.8kHz PWM Output
- ◆ Operates Down to 1.8V
- ◆ High Accuracy
  - ±1.5°C at  $T_A = +25^{\circ}\text{C}$
  - ±3.0°C at  $T_A = 0^{\circ}\text{C}$  to  $+85^{\circ}\text{C}$
- ◆ Operates from -40°C to +125°C
- ◆ Low 80µA Typical Current Consumption
- ◆ Small 6-Pin SOT23 Package

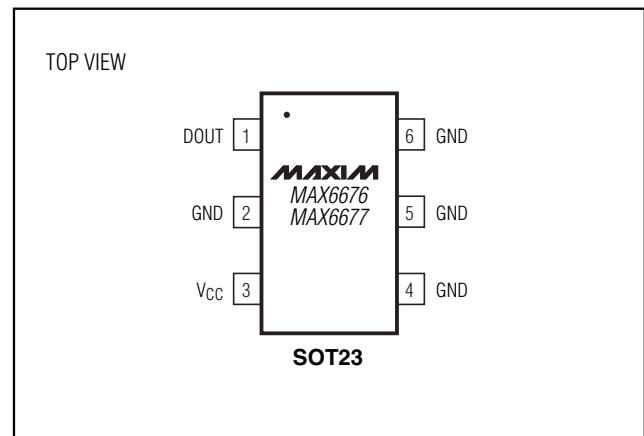
## Ordering Information

PART	TEMP RANGE	PIN-PACKAGE
MAX6676AUT3-T	-40°C to +125°C	6 SOT23-6
MAX6676AUT5-T	-40°C to +125°C	6 SOT23-6
MAX6677AUT3-T	-40°C to +125°C	6 SOT23-6

## Selector Guide

PART	OUTPUT TYPE	SUPPLY VOLTAGE RANGE (V)	TOP MARK
MAX6676AUT3	Open drain	1.8 to 3.6	ABBF
MAX6676AUT5	Open drain	3.6 to 5.5	ABBG
MAX6677AUT3	Push-pull	1.8 to 3.6	ABBH

## Pin Configuration



# Low-Voltage, 1.8kHz PWM Output Temperature Sensors

## ABSOLUTE MAXIMUM RATINGS

(Voltages Referenced to GND)

V <sub>CC</sub> .....	-0.3V to +6.0V
DOUT (MAX6676).....	-0.3V to +6.0V
DOUT (MAX6677).....	-0.3V to (V <sub>CC</sub> + 0.3V)
DOUT Current .....	-1mA to +50mA
ESD Protection (DOUT, Human Body Model) .....	±2000V

Continuous Power Dissipation (T<sub>A</sub> = +70°C)

6-Pin SOT23 (derate 8.7mW/°C above +70°C).....	695.7mW
Operating Temperature Range .....	-40°C to +125°C
Storage Temperature Range .....	-65°C to +150°C
Junction Temperature .....	+150°C
Lead Temperature (soldering, 10s) .....	+300°C

Stresses beyond those listed under "Absolute Maximum Ratings" may cause permanent damage to the device. These are stress ratings only, and functional operation of the device at these or any other conditions beyond those indicated in the operational sections of the specifications is not implied. Exposure to absolute maximum rating conditions for extended periods may affect device reliability.

## ELECTRICAL CHARACTERISTICS

(V<sub>CC</sub> = 1.8V to 3.6V (MAX6676AUT3/MAX6677AUT3), V<sub>CC</sub> = 3.6V to 5.5V (MAX6676AUT5), T<sub>A</sub> = -40°C to +125°C, unless otherwise noted. Typical values are at V<sub>CC</sub> = 3.0V (MAX6676AUT3/MAX6677AUT3), V<sub>CC</sub> = 5.0V (MAX6676AUT5), T<sub>A</sub> = +25°C.)

PARAMETER	SYMBOL	CONDITIONS	MIN	TYP	MAX	UNITS
Supply Voltage Range	V <sub>CC</sub>	MAX6676AUT3/MAX6677AUT3	1.8		3.6	V
		MAX6676AUT5	3.6		5.5	
Supply Current	I <sub>CC</sub>	R <sub>L</sub> = ∞		80	200	μA
Temperature Error		T <sub>A</sub> = +25°C		-1.5	+1.5	°C
		T <sub>A</sub> = 0°C to +85°C		-3.0	+3.0	
		T <sub>A</sub> = -20°C to +100°C		-4.2	+4.2	
		T <sub>A</sub> = -40°C to +125°C		-5.5	+5.5	
Nominal t <sub>1</sub> Pulse Width			240			μs
Output High Voltage	V <sub>OH</sub>	I <sub>OH</sub> = 800μA, MAX6677	V <sub>CC</sub> - 0.3			V
Output Leakage Current		V <sub>OUT</sub> = V <sub>CC</sub>		0.1		μA
Output Low Voltage	V <sub>OL</sub>	I <sub>OL</sub> = 3mA			0.3	V
Fall Time	t <sub>F</sub>	C <sub>L</sub> = 100pF, R <sub>L</sub> = 10kΩ		20		ns
Rise Time	t <sub>R</sub>	MAX6676, C <sub>L</sub> = 15pF, R <sub>L</sub> = 10kΩ		300		ns
		MAX6677, C <sub>L</sub> = 100pF, R <sub>L</sub> = 10kΩ		30		
Digital Output Capacitance	C <sub>OUT</sub>			15		pF
Power-Supply Rejection Ratio	PSRR	V <sub>CC</sub> = 1.8V - 3.6V	-1.2	+0.4	+1.2	°C/V

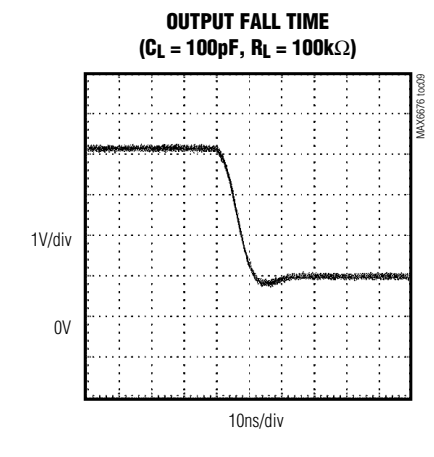
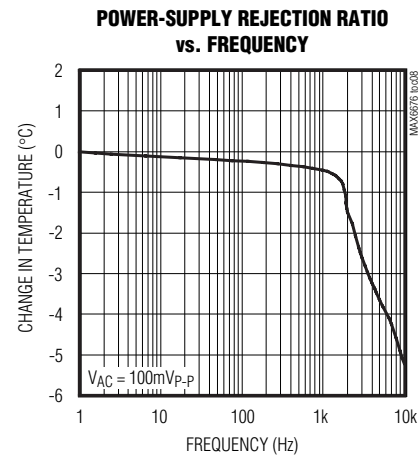
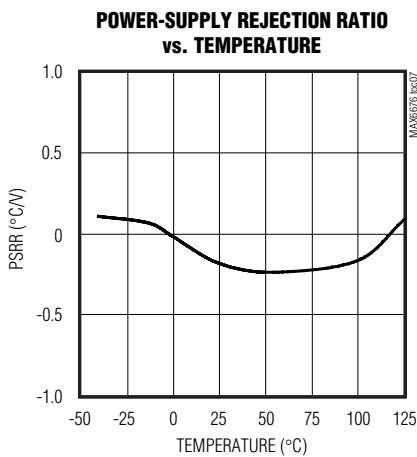
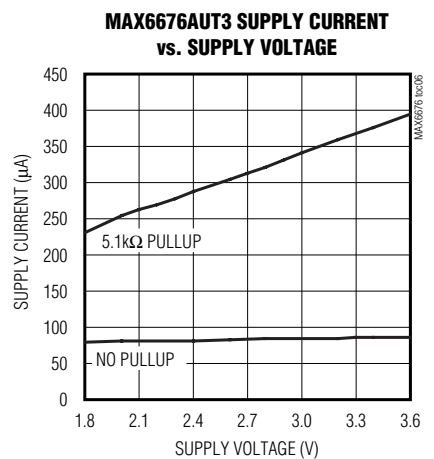
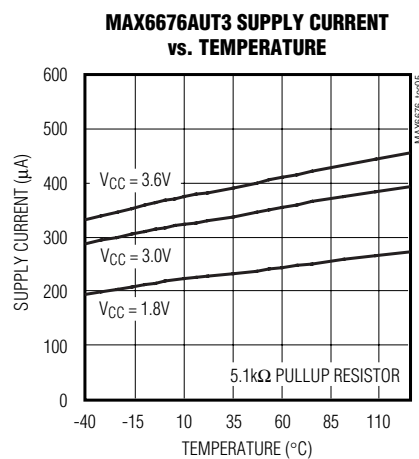
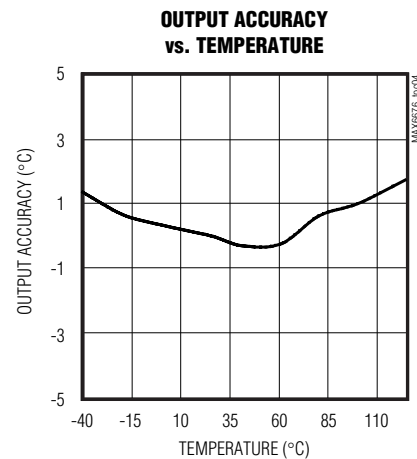
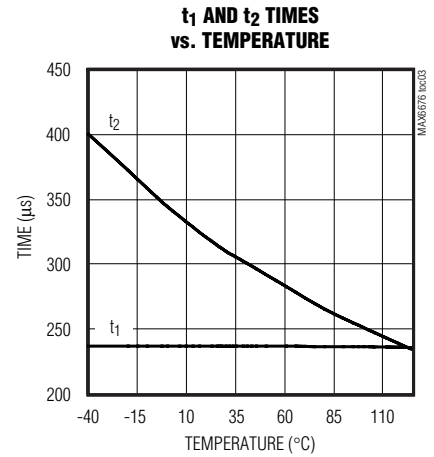
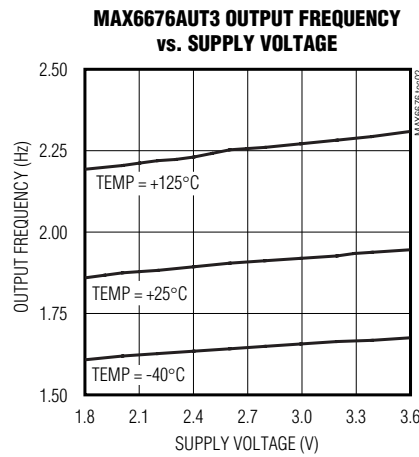
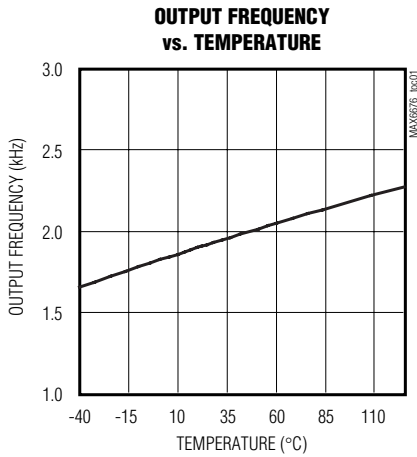
**Note 1:** Parts are tested at +25°C. Specifications are guaranteed by design over temperature.

# Low-Voltage, 1.8kHz PWM Output Temperature Sensors

## Typical Operating Characteristics

( $V_{CC} = 3.0V$ ,  $T_A = +25^\circ C$ , unless otherwise noted.)

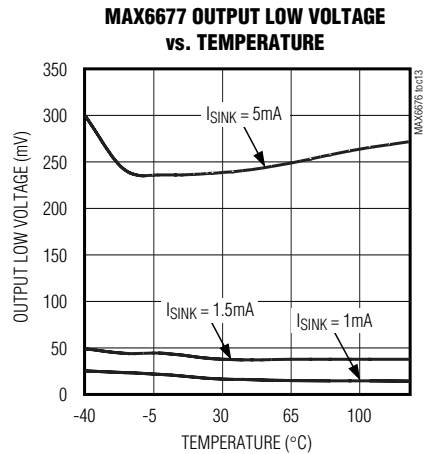
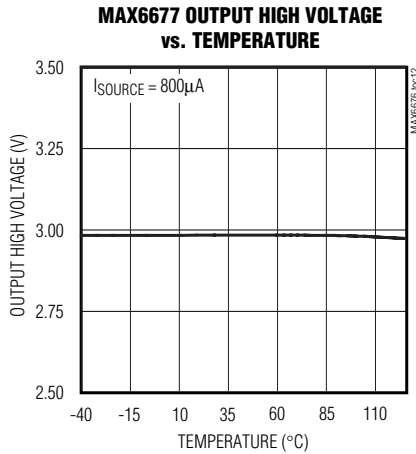
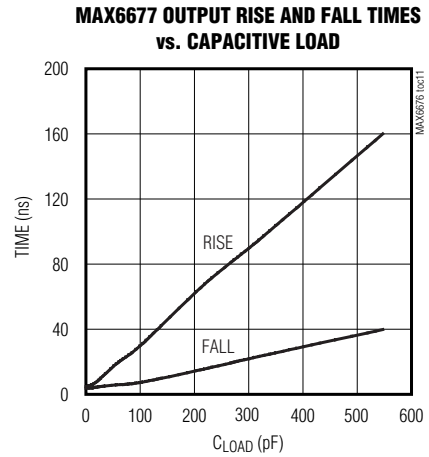
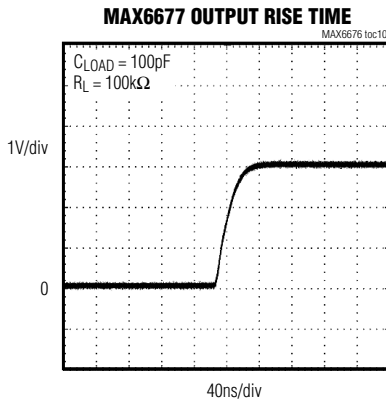
MAX6676/MAX6677



# Low-Voltage, 1.8kHz PWM Output Temperature Sensors

## Typical Operating Characteristics (continued)

( $V_{CC} = 3.0V$ ,  $T_A = +25^\circ C$ , unless otherwise noted.)



# Low-Voltage, 1.8kHz PWM Output Temperature Sensors

MAX6676/MAX6677

## Pin Description

PIN	NAME	FUNCTION
1	DOUT	Digital Output Pin. The duty cycle of the output waveform is modulated by temperature.
2, 4, 5, 6	GND	Ground. All four ground pins must be connected to GND.
3	VCC	Supply Voltage. Bypass VCC to GND with a 0.1µF capacitor.

## Detailed Description

The MAX6676/MAX6677 are high-accuracy, low-current (80µA, typ) temperature sensors ideal for interfacing with µCs or µPs. The MAX6676/MAX6677 convert the ambient temperature into a ratiometric PWM output at a nominal frequency of 1.8kHz (±20%) at +25°C.

The time periods,  $t_1$  (low) and  $t_2$  (high) (Figure 1), are easily read by a µP's timer/counter port. To calculate the temperature, use the following expression:

$$\text{Temperature (°C)} = 398.15 \times (t_1 / t_2) - 273.15$$

The µC or µP measures the output of the MAX6676/MAX6677 by counting  $t_1$  and  $t_2$  and computing the temperature based on their ratio. The resolution of the count is a function of the processor clock frequency and the resolution of the counter. Always use the same clock for  $t_1$  and  $t_2$  counters so that the temperature is strictly based on a ratio of the two times, thus eliminating errors due to different clocks' frequencies.

The MAX6677 (Figure 2a) has a push-pull output with full CMOS output swings. The ability to source and sink current allows the MAX6677 to drive capacitive loads up to 100pF with less than 1°C error.

The MAX6676 (Figure 2b) has an open-drain output. The output capacitance should be minimized in MAX6676 applications because the sourcing current is set by the pullup resistor. If the output capacitance becomes too large, lengthy rise and fall times distort the pulse width, resulting in inaccurate measurements.

## Applications Information

Accurate temperature monitoring requires a good thermal contact between the MAX6676/MAX6677 and the object being monitored. A precise temperature measurement depends on the thermal resistance between the object being monitored and the MAX6676/MAX6677 die. Heat flows in and out of plastic packages primarily through the leads. If the sensor is intended to measure the temperature of a heat-generating component on the circuit board, mount the device as close as possible to that component and share the ground traces (if they are not too noisy) with the component. This maximizes the heat transfer from the component to the sensor.

### Power Supply from µP Port Pin

The low quiescent current of the MAX6676/MAX6677 enables them to be powered from a logic line, which meets the requirements for supply voltage range. This provides a simple shutdown function to totally eliminate quiescent current by taking the logic line low. The logic line must be able to withstand the 0.1µF power-supply bypass capacitance.

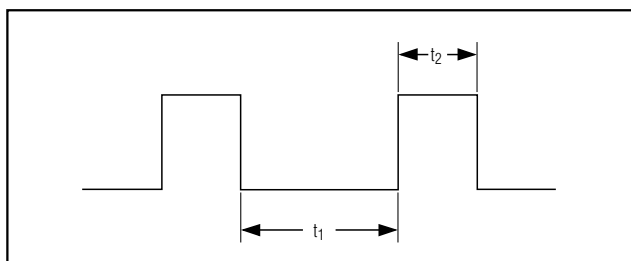


Figure 1. MAX6676/MAX6677 PWM Output

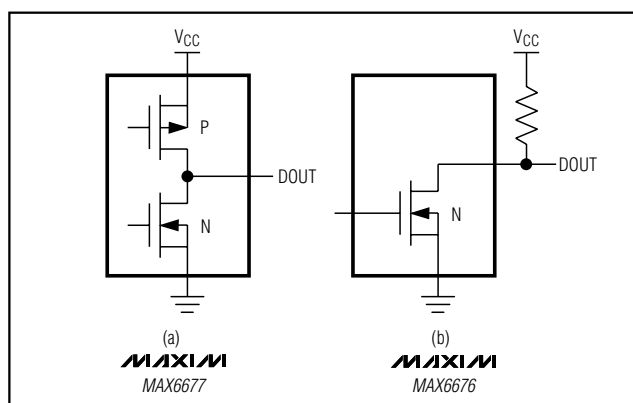


Figure 2. Output Configurations

## Low-Voltage, 1.8kHz PWM Output Temperature Sensors

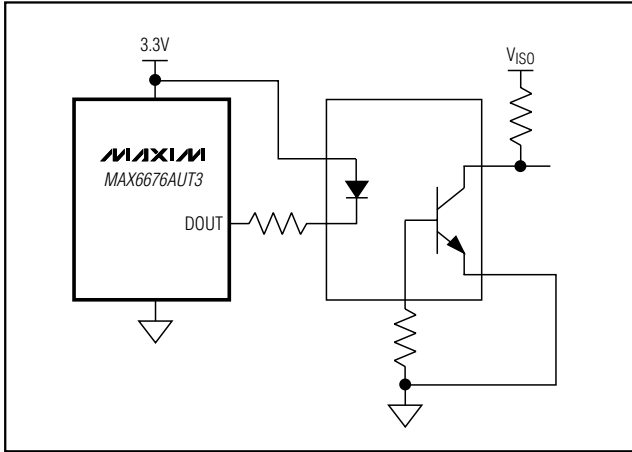


Figure 3. Galvanic Isolation Using an Optocoupler

### Galvanic Isolation

Use an optocoupler to isolate the MAX6676/MAX6677 whenever a high common-mode voltage is present. Choose an optocoupler with equal turn-on and turn-off times. Unequal turn-on/turn-off times produce an error in the temperature reading (Figure 3).

### Thermal Considerations

Self-heating may cause the temperature measurement accuracy of the MAX6676/MAX6677 to degrade in some applications. The quiescent dissipation and the power dissipated by the digital output may cause errors in obtaining the accurate temperature measurement. The temperature errors depend on the thermal conductivity of the package (SOT23, +140°C/W), the mounting technique, and the airflow. Static dissipation is typically 4.0μW operating at 5V with no load. For example, an out load of 3mA creates a maximum error of less than 0.1°C.

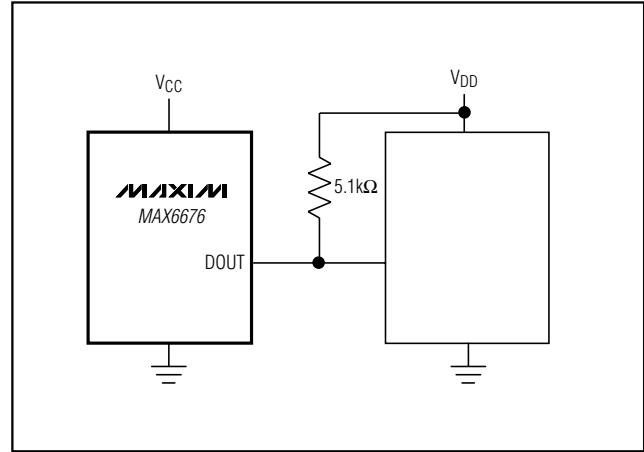


Figure 4. Low-Voltage Logic

### Multiple Logic Voltages

Use the MAX6676 open-drain output to drive devices operating at supply voltages other than the MAX6676's VCC. As shown in Figure 4, connect a pullup resistor from the other supply voltage to the MAX6676 output. Limit the resistor's current to less than 1mA, thus maintaining an output low logic level of less than 200mV.

### Chip Information

TRANSISTOR COUNT: 2096

PROCESS: BiCMOS

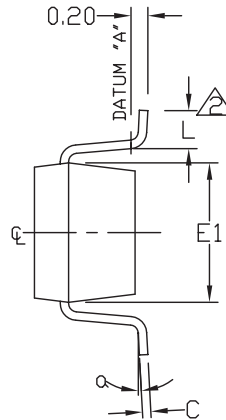
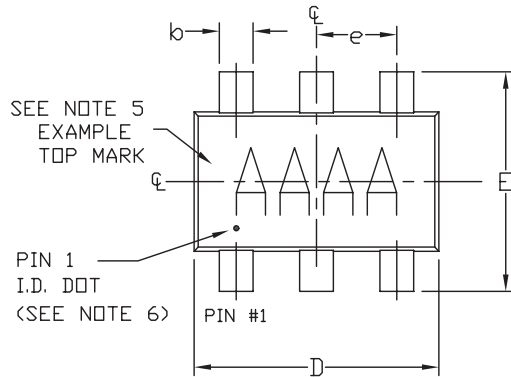
# Low-Voltage, 1.8kHz PWM Output Temperature Sensors

## Package Information

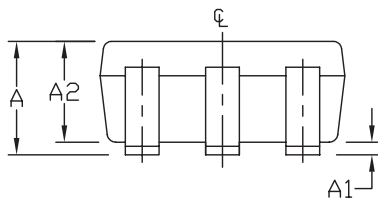
(The package drawing(s) in this data sheet may not reflect the most current specifications. For the latest package outline information go to [www.maxim-ic.com/packages](http://www.maxim-ic.com/packages).)

MAX6676/MAX6677

6LSOT.EPS



SYMBOL	MIN	MAX
A	0.90	1.45
A1	0.00	0.15
A2	0.90	1.30
b	0.35	0.50
C	0.08	0.20
D	2.80	3.00
E	2.60	3.00
E1	1.50	1.75
L	0.35	0.55
e	0.95 REF	
a	0°	10°



**NOTES:**

1. ALL DIMENSIONS ARE IN MILLIMETERS.
2. FOOT LENGTH MEASURED AT INTERCEPT POINT BETWEEN DATUM A & LEAD SURFACE.
3. PACKAGE OUTLINE EXCLUSIVE OF MOLD FLASH & METAL BURR.
4. PACKAGE OUTLINE INCLUSIVE OF SOLDER PLATING.
5. PIN 1 IS LOWER LEFT PIN WHEN READING TOP MARK FROM LEFT TO RIGHT. (SEE EXAMPLE TOP MARK)
6. PIN 1 I.D. DOT IS 0.3 MM Ø MIN. LOCATED ABOVE PIN 1.
7. MEETS JEDEC MQ178.

<b>MAXIM</b>		
<small>PROPRIETARY INFORMATION</small>		
<small>TITLE:</small>		
PACKAGE OUTLINE, SOT-23, 6L		
<small>APPROVAL</small>	<small>DOCUMENT CONTROL NO.</small>	<small>REV</small>
	21-0058	E 1/1

Maxim cannot assume responsibility for use of any circuitry other than circuitry entirely embodied in a Maxim product. No circuit patent licenses are implied. Maxim reserves the right to change the circuitry and specifications without notice at any time.

**Maxim Integrated Products, 120 San Gabriel Drive, Sunnyvale, CA 94086 408-737-7600** \_\_\_\_\_ **7**