

High Capacity Compact Compression Load Cell

Model MPB



Model MPB
Order Code BL515

STAINLESS STEEL

MV/V OUTPUT

1 TO 1000 TONNES RANGE

0.25% ACCURACY

PERFORMANCE

Accuracy.....	0.25% BFSL *1
Non-Repeatability.....	0.02% Full scale
Output.....	2 mV/V (Nominal)

ENVIRONMENTAL

Temperature, Operating.....	-55°C to 120°C
Temperature, Compensated.....	20°C to 70°C
Temperature Effect	
Zero.....	0.01% Full scale/°C
Span.....	0.01% Reading/°C

ELECTRICAL

Strain Gage Type.....	Foil
Excitation.....	10 VDC
Insulation Resistance.....	5000 Megaohms@50V
Bridge Resistance.....	350 ohms (Nominal)
Shunt Calibration Data.....	Included
Electrical Termination.....	Connector, except 1, 2.5, 5 tonne-cable

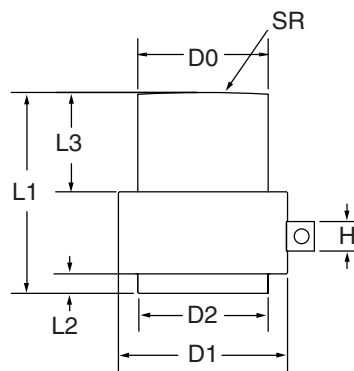
MECHANICAL

Construction.....	Column with welded diaphragm
Material.....	All welded stainless steel
Fatigue Life.....	1 Million cycles
Max. Load without Damage.....	150% of full scale

For standard configuration with spherical radius, a hardened surface is recommended to maintain the best loading conditions. RC42 is recommended minimum hardness. Bearing lubricant at loading interface recommended for maximum life.

Options (See Appendix)

Temperature Compensation	1d. 1h.	Shunt Calibration	8a.
	1e. 1i.	Special Calibration	9a.
	1f. 1j.		9b.
	1g. 1k.		9c.
	1m.	Bridge Type	11a.
Electrical Termination	6b.		11c.
	6c.	Bridge Resistance	12b.
	6d.	Electrical Connector Orientation	15d.
	6f.	Special Calibration	30a.
	6g.		30b.
	6h.		30c.
	6i.		
	6j.	Shock & Vibration Interfaces	44a.
	6q.		53e.
	6v.		53t.
	15d.		



Wiring Codes

Cable Exit -1-25 tonnes

Cable/Unamplified

- Red (+) Excitation
- Black (-) Excitation
- Green (-) Output
- White (+) Output

Connector Exit -50-1,000 tonnes

Connector/Unamplified

- Red (+) Excitation
- Black (-) Excitation
- Green (-) Output
- White (+) Output

Dimensions

Capacity: tons (US)	D0 (mm)	D1 (mm)	D2 (mm)	L1 (mm)	L2 (mm)	L3 (mm)	H	Thread Lifting Eye	Bottom Thread
1	6.5	22	9.5	19	.5	1.5	9.5	N/A	M4 X 4 Deep
2.5	6.5	22	9.5	19	.5	1.5	9.5	N/A	M4 X 4 Deep
5	10.5	25	13.5	22.5	1.0	1.5	9.5	N/A	M4 X 4 Deep
10	19	38	19	28.5	1.5	4.0	9.5	N/A	M6 X 6 Deep
25	30	50	30	45	3	7.5	19	N/A	M6 X 6 Deep
50	43	88	43	64	4	8	38.1	N/A	M10 X 10 Deep
100	60	100	60	90	5.5	22.5	38.1	N/A	M10 X 10 Deep
250	95	138	95	142	11	65	38.1	M6	M20 X 20 Deep
500	134	190	134	200	16	117	38.1	M8	M20 X 20 Deep
1000	185	240	185	285	39	175	38.1	M10	M24 X 24 Deep