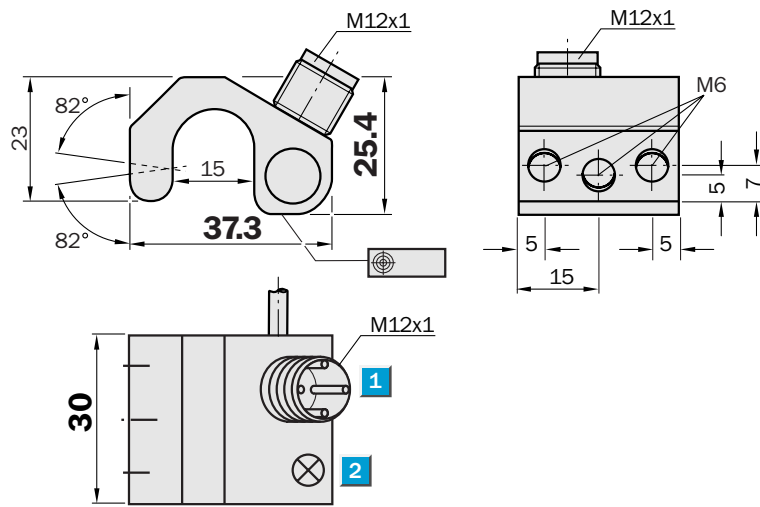
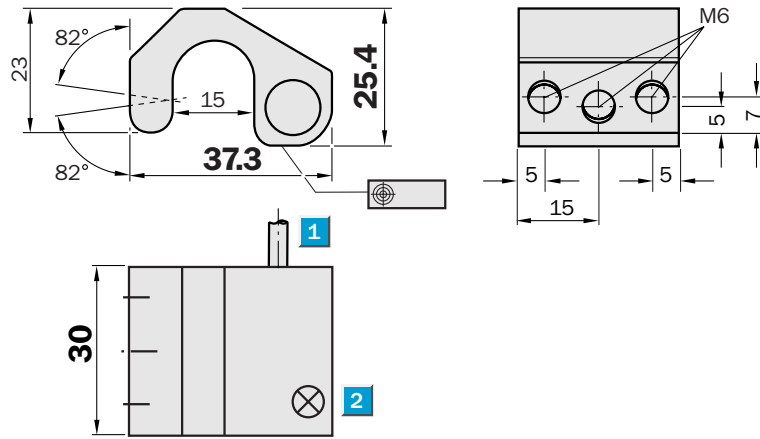


for integrated profile cylinders
Magnetic cylinder sensor

- Mounting on integrated profile with max. width of 14 mm
- High repeat accuracy
- Solid aluminium housing with integrated mounting claw
- Cable or connector
- LED status indicator

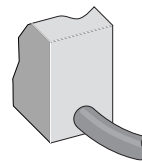
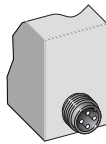
Dimensional drawing



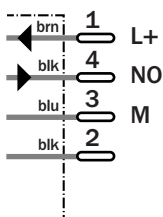
- 1 Connection
- 2 Display LED

Connection type

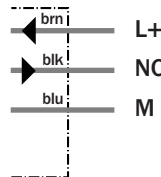
MZP3-03VPS-ACO MZP3-03VPS-AUO MZP3-03VPS-AUO



M12, 4-pin



3 x 0.25 mm²



See chapter Accessories

Connector, M12, 4-pin

Technical data		MZIP3-	03VPS -ACO	03VPS -AUO									
Sensing face	Front												
Electrical configuration	DC 3-wire												
Supply voltage V_s	DC 10 ... 30 V												
Response sensitivity	≤ 3 mT												
Residual ripple V _{pp}	≤ 10 % ¹⁾												
Voltage drop V _d	≤ 1.5 V ²⁾												
Power consumption	10 mA ³⁾												
Continuous current I_a	≤ 300 mA												
Time delay before availability t _v	≤ 2 ms												
Hysteresis H, of s _r	≤ 1 mm												
Repeatability R	≤ 0.1 mm (U _b and T _a constant)												
EMC	According to EN 60947-5-2												
Switching output	PNP												
Output function	Normally open												
Connection type	Cable, PVC/PUR, 2 m												
	Connector, M12, 4-pin												
Enclosure rating	IP 67 ⁴⁾												
Max. switching frequency	5,000 Hz												
Wire-break protection	✓												
Short circuit protection	✓ ⁵⁾												
Reverse polarity protection	✓												
Power-up pulse suppression	✓												
Shock/vibration stress	30 g, 11 ms / 10 ... 55 Hz, 1 mm												
Ambient operating temperature T _a	-25 °C ... +75 °C												
Housing material	Aluminium, plastic												

¹⁾ of U_b²⁾ at I_a max³⁾ without load⁴⁾ according to EN 60 529⁵⁾ (pulsed)**Order information**

Type	Order no.
MZIP3-03VPS-ACO	7 900 612
MZIP3-03VPS-AUO	7 900 610