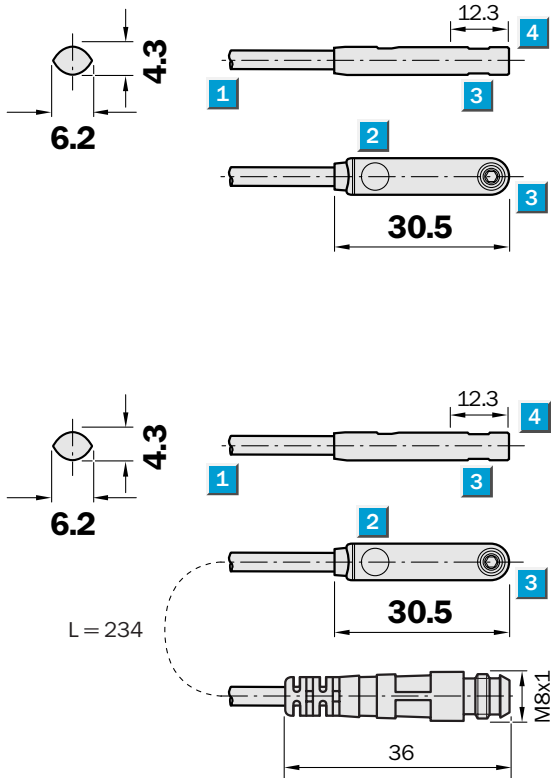




- Mountable from the top
- For all common used T-slot cylinder e.g. Festo, SMC
- Connection cable or connector on cable
- Enclosure rating IP 67
- LED status indicator

Dimensional drawing

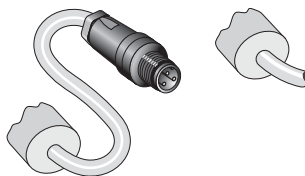


- 1 Connection
- 2 Display LED
- 3 Mounting screw
- 4 Position sensor element



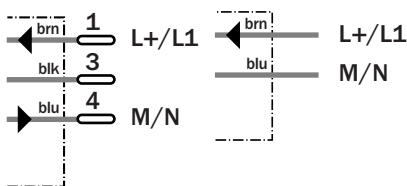
Connection type

RZT1-03ZUS-KPO	RZT1-03ZUS-KWD
	RZT1-03ZUO-KWO



M8, 3-pin

2 x 0.12 mm<sup>2</sup>



<b>Accessories</b>
Connector, M8, 3-pin
Mounting systems

Technical specifications		RZT1-	03ZUS -KPO	03ZUS -KWD	03ZUO -KWO							
Sensing face	Centre											
<b>Electrical configuration</b>	AC/DC 2-wire											
<b>Supply voltage V<sub>s</sub></b>	AC/DC 10 ... 30 V											
	AC/DC 10 ... 120 V											
Max. switching power	6 W/VA											
Response sensitivity	≤ 3 mT											
<b>Continuous current I<sub>a</sub></b>	≤ 100 mA											
Switch on delay	Approx. 1.5 ms											
Time delay off	Approx. 0.5 ms											
Hysteresis H, of s <sub>r</sub>	≤ 1.5 mm											
Repeatability R	≤ 0.1 mm (U <sub>b</sub> and T <sub>a</sub> constant)											
EMC	According to EN 60947-5-2											
<b>Switching output</b>	Reed											
<b>Output function</b>	Normally open											
	Normally closed											
<b>Connection type</b>	Cable with plug, M8, 3-pin, PUR, 0.23 m											
	Cable, PVC, 2.5 m											
	Cable, PVC, 2 m											
<b>Enclosure rating</b>	IP 67 <sup>1)</sup>											
Max. switching frequency	400 Hz											
Shock/vibration stress	30 g, 11 ms/10 ... 55 Hz, 1 mm											
Ambient temperature T <sub>a</sub>	-25 °C ... +75 °C											
<b>Housing material</b>	Plastic											

<sup>1)</sup> according to EN 60529

#### Ordering information

Type	Order No.
RZT1-03ZUS-KPO	1 025 381
RZT1-03ZUS-KWD	1 025 380
RZT1-03ZUO-KWO	1 026 469