

AVAILABLE
with Signature
Calibration
SEE PG. IN-5

Rod End In-Line Compression-Tension Load Cells

Models RGM, RGH and RGF

COMPRESSION-TENSION

2000 TO 50,000 lb.

HERMETICALLY SEALED

0-5VDC OR 4-20MA OPTION



Model RGM
(Order Code AL426)



Model RGH
(Order Code AL427)



Model RGF
(Order Code AL428)

The Model RGM, RGH, and RGF In-Line load cells are high quality, hermetic, rugged load cells capable of withstanding significant off-axis loads, making them an ideal choice for in-line compression measurement or tension measurement where side loading cannot be completely controlled. The flexible mounting options make applications easier to implement, and the all stainless steel, hermetic construction is well suited to corrosive and very high humidity environments.

PERFORMANCE

Load Ranges	2,000 to 50,000 lb.
Non-repeatability (max)	±0.05% F.S.
Output (std)	1mV/V (nom.)
Resolution	Infinite

ENVIRONMENTAL

Linearity & Hysteresis	0.25% F.S.
Temperature, Operating	-65°F to 250°F
Temperature, Compensated	60°F to 160°
Temperature Effect	
-Zero (max)	0.005% F.S./°F
-Span (max)	0.005% Rdg./°F

ELECTRICAL

Strain Gage Type	Bonded foil
Excitation (calibration)	10VDC
Excitation (acceptable)	Up to 15VDC or AC
Insulation Resistance	5000 megohm @ 50VDC
Bridge Resistance	700 ohms
Shunt Calibration Data	Included
Wiring Code (std)	#2 (See Pg. AP-8)
Electrical Termination (std)	PTIH-10-6P or equiv. (Hermetic stainless)

MECHANICAL

Static Overload Capacity	50% over capacity
Deflection - Full Scale	0.003"
Casing Material	Stainless Steel

INTERNALLY AMPLIFIED
UNITS (Optional)

Outputs Available	0-5VDC, 4-20mA
-------------------------	----------------

Options (See Appendix)

Temp. compensation 1b, 1c, 1d, 1e, 1f; Electrical terminations 6e, 6f, 6g, 6i, 6j; Int. shunt cal 8a
Signature calibration 53e

Premium Options: 1i; 2b, 2c 2j, 2k; 3a, 3b, 3d; 9a, 9b; 12b

Accessories: Mating connectors and connector/cable assemblies; Rod end attachments for RGM

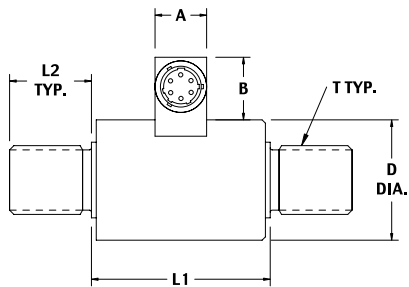
1-888-282-9891

Honeywell
Sensotec Sensors

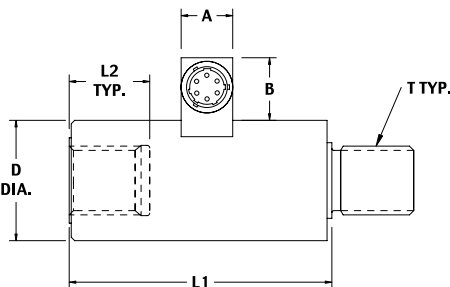
www.honeywell.com/sensing

Dimensions

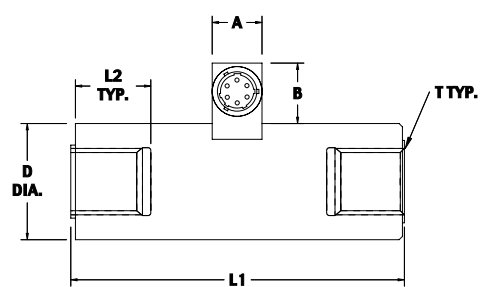
Model RGM
(Order Code AL426)



Model RGH
(Order Code AL427)



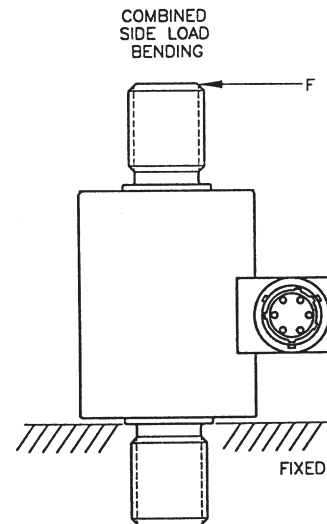
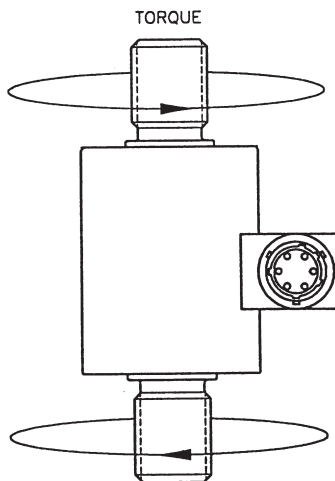
Model RGF
(Order Code AL428)



Available Ranges	D"	T"	L2"	RGM L1"	RGH L1"	RGF L1"	A**	B**
2000, 3000, 5000 lbs	1.75	3/4-16 UNF	0.95	2.63	2.63	3.56	0.75	0.82
10,000; 15,000 lbs	2.50	1 1/2-12 UNF	1.75	3.50	4.50	6.12	0.75	0.82
25,000; 50,000 lbs	3.50	2-12 UNF	2.25	3.50	5.75	8.00	0.75	0.82

Extraneous Loads

Allowable Extraneous Loads (% of Load Capacity)	Side Load Bending Lbs	Torque Inch Lbs
All Capacities	20%	20%



LOAD
ROD END COMPRESSION/TENSION